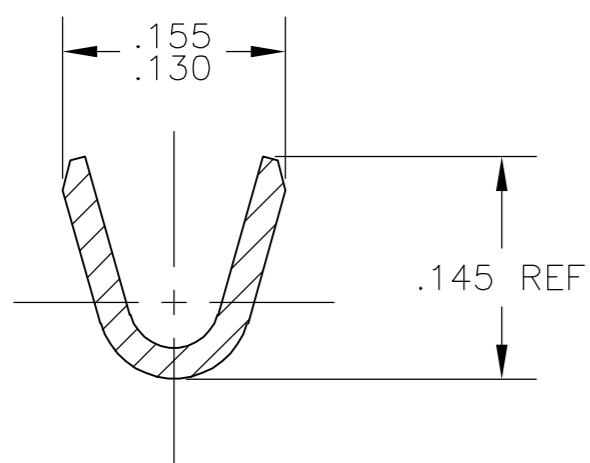
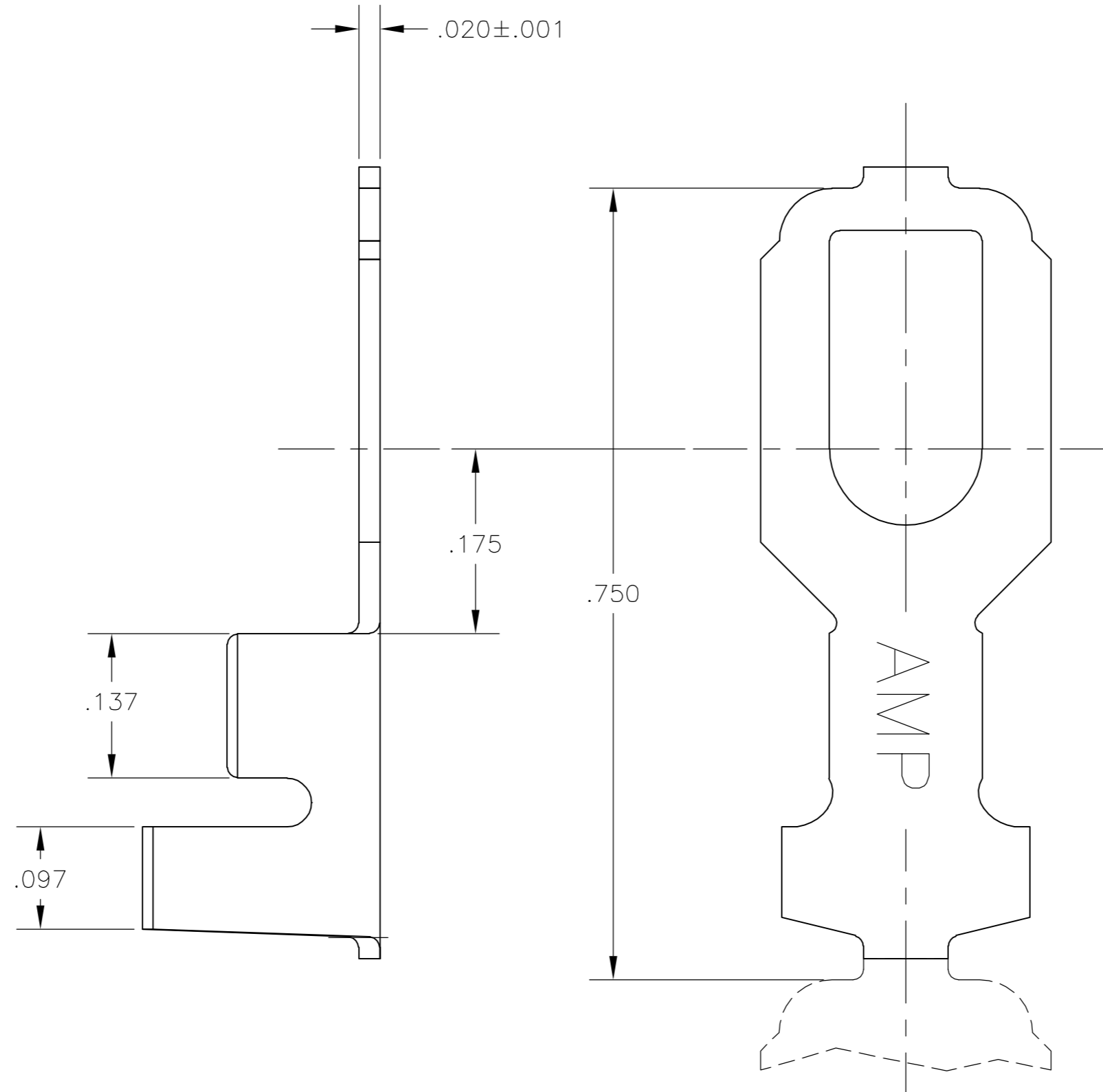
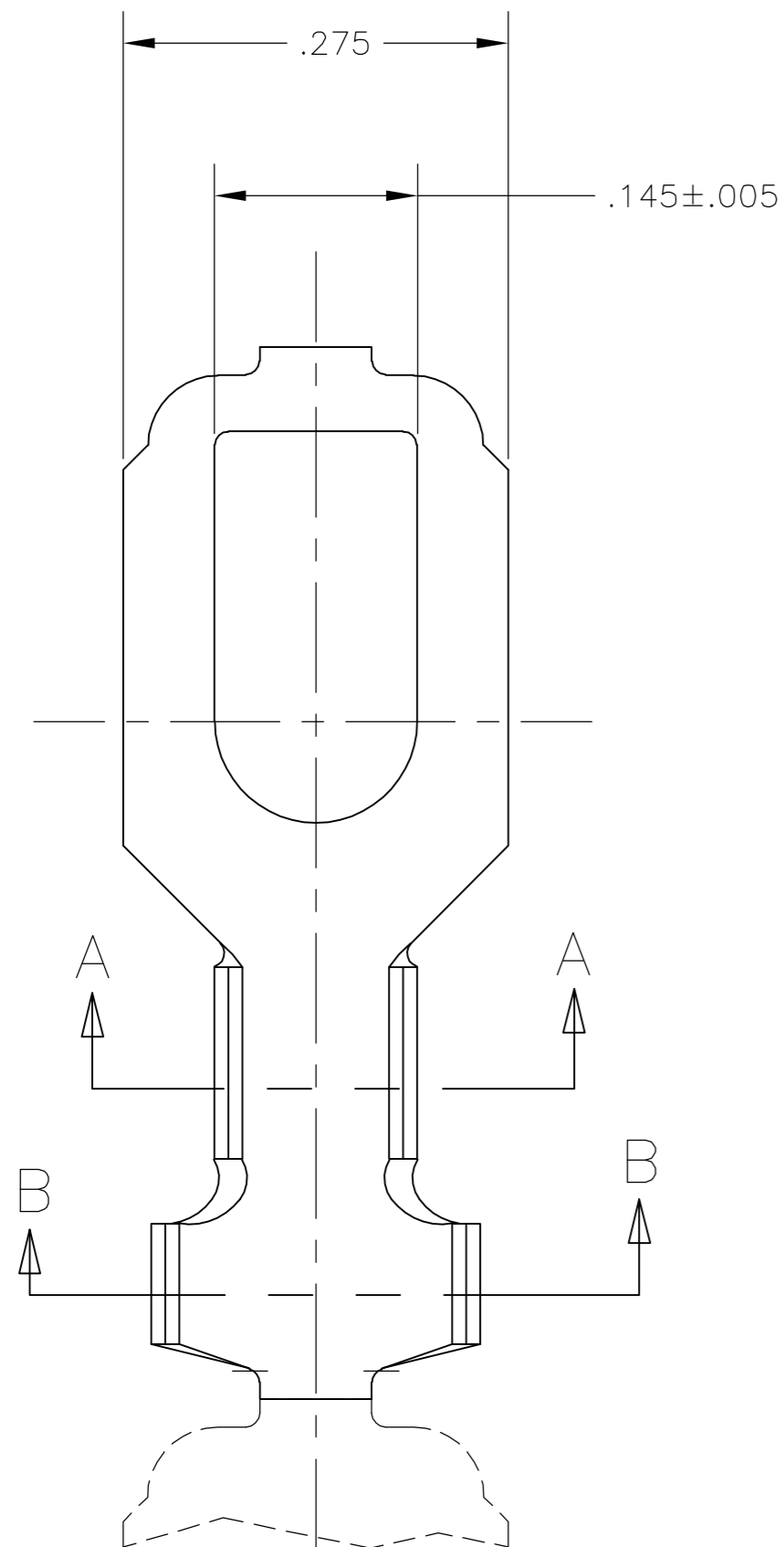


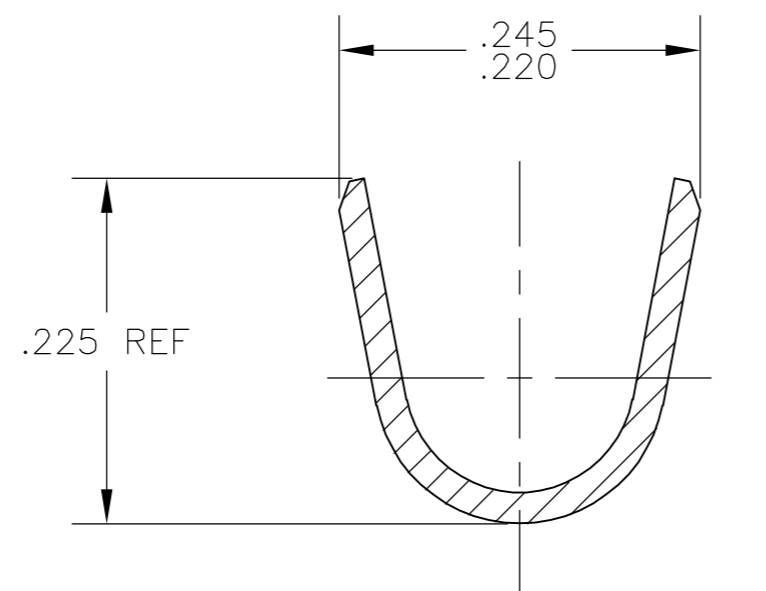
THIS DRAWING IS UNPUBLISHED. RELEASED FOR PUBLICATION
 © COPYRIGHT BY TYCO ELECTRONICS CORPORATION. ALL RIGHTS RESERVED.

LOC	DIST	REVISIONS			
P	LTR	DESCRIPTION	DATE	DWN	APVD
AF	50	F	REVISED PER OG3A-1003-04	04JAN05	MF DD

- CONTINUOUS STRIP ON REELS.
- WIRE SIZE: #18-#14 AWG.
- INSULATION RANGE: .130-.180 DIA.



SECTION A-A



SECTION B-B

60725
60725-1
PART NUMBER

THIS DRAWING IS A CONTROLLED DOCUMENT.		DWN 20DEC2004 MICHAEL S. FEHER	tyco Tyco Electronics Corporation	
DIMENSIONS: INCHES		CHK 04JAN2005 DONALD F. DECKER	Harrisburg, Pa 17105-3608	
TOLERANCES UNLESS OTHERWISE SPECIFIED:		APVD 04JAN2005 DONALD F. DECKER	NAME	
0 PLC ± -	1 PLC ± -	PRODUCT SPEC	TERMINAL, SPADE	
2 PLC ± -	3 PLC ± .010	APPLICATION SPEC	6 STUD SIZE	
4 PLC ± -	ANGLES ± 1°	WEIGHT -	SIZE A2	CAGE CODE 00779
MATERIAL 082 BRASS	FINISH .000080 MIN TIN	CUSTOMER DRAWING	DRAWING NO C=60725	RESTRICTED TO -
SCALE 8:1			SHEET 1 OF 1	REV F